

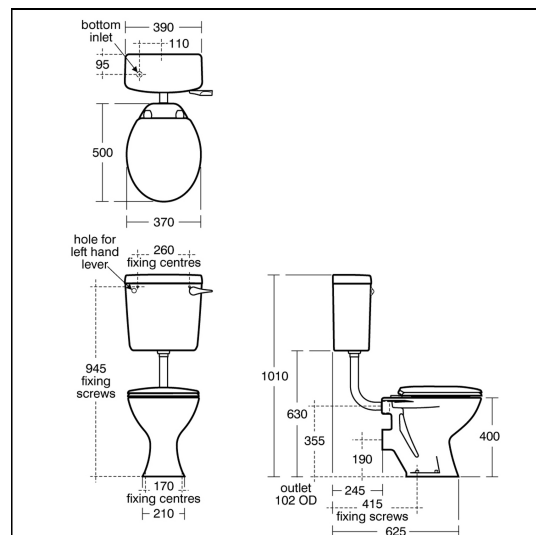
Sandringham 21 Low Level WC Pan

ILLUSTRATED

- S3510** Sandringham 21 washdown low level WC pan with horizontal outlet
- E8969** Sandringham 21 low level cistern 6 litre single flush syphon bottom supply and internal overflow
- S4055** Gemini seat & cover
- S9102** Domex screws (set of 4)

OPTIONS

- S3902** Group low level cistern 6 litre single flush syphon bottom supply and internal overflow CP lever
- S3905** Group low level cistern 6 litre single flush syphon bottom supply and internal overflow with secure cover fastener CP Lever
- S3740** Regal low level plastic slim line cistern 6 litre single flush syphon side supply and internal overflow, CP lever
- S3742** Regal low level plastic slimline cistern 6 litre single flush syphon bottom supply and internal overflow, CP lever
- S3617** Conceala 2 cistern 4.5 or 6 litre single flush syphon side supply and internal overflow plastic flushbend, long CP lever
- S3620** Conceala 2 cistern 4.5 or 6 litre single flush syphon side supply and internal overflow, alternative height plastic flushbends, no lever
- E8972** Sandringham 21 low level cistern 6 litre single flush syphon side supply and internal overflow
- E8761** Sandringham 21 low level cistern 6/4 litre dual flush valve, bottom supply and internal overflow
- S4060** Bakasan seat and cover with stainless steel rod and metal top fixing hinges
- S6600** Dania 50mm raised toilet seat and cover
- S4071** Bakasan seat no cover open front plastic pillars
- S4456** Finger push button mechanism for low level concealed cistern, for 150mm maximum wall thickness
- S4452** Palm push button mechanism for low level concealed cistern for 150mm maximum wall thickness
- S4453** Palm push button mechanism for low level



Sandringham 21 Low Level WC Pan

concealed cistern for 400mm maximum wall thickness

- S4491** Lever flushing Conceala 2 extended 250mm
- S4492** Lever flushing Conceala 2 extended 400mm
- S4305** Panekta outlet Connector, finned pattern to convert horizontal outlet WCs to P trap
- S4300** Panekta outlet Connector, finned pattern to convert horizontal outlet WCs to S or turned P trap

ILLUSTRATED PRODUCT DETAILS

Weights

- S3510** 12.81 KG
- E8969** 15.50 KG
- S4055** 1.90 KG
- S9102** 0.22 KG

Materials

- S3510** Vitreous China
- E8969** Vitreous China
- S4055** High Impact Plastic
- S9102** Mixed Material

Finishes

- S3510** White (01)
- E8969** White (01)
- S4055** White (01)
- S9102** White (01)

Capacity

- E8969** 6 litres

FINISH OPTIONS

- (SW) Honeymoon
 -
 - (20) Chablis
- (01) White

Standards

Vitreous china to BS 3402. WC pan to BS EN 997 & BS EN 33

Special Notes

WC pan screwed to floor and cistern screwed to wall.