

Contour 21 Splash 40cm Schools basin with overflow - one taphole

ILLUSTRATED

- S2635** Contour 21 Splash 40cm Schools basin with overflow - one taphole
- E0157** Wall fixing set
- B8263** Avon 21 washbasin mixer 1 hole, self closing push button, variable temperature control with 15mm female connector flexible hoses on inlets
- S8722** Waste 1¼" brass strainer waste, 80mm slotted tail
- S8920** Trap 1¼" plastic resealing bottle, 75mm seal, multi-purpose outlet

OPTIONS

- S8733** Waste 1¼" brass anti theft swivel plug waste, 80mm slotted tail
- S8800** Waste 1¼" plastic waste with bead chain and plug, 80mm slotted tail, bolt stay
- S8900** Trap 1¼" metal bottle, 75mm seal, outlet screwed 1¼" BSP male with compression nut and ring

ILLUSTRATED PRODUCT DETAILS

Sizes

S2635 w:400 x d:330

Weights

S2635 7.70 KG

E0157 0.16 KG

B8263 2.30 KG

S8722 0.22 KG

S8920 2.00 KG

Materials

S2635 Vitreous China

E0157 Metal

B8263 Chrome Plated Brass

S8722 Chrome Plated Metal

S8920 Plastic

Finishes

S2635  White (01)

E0157  Neutral / No Finish (67)

B8263  Chrome (AA)

S8722  Chrome (AA)

S8920  Neutral / No Finish (67)

Capacity

S2635 2 litres

Flow rates

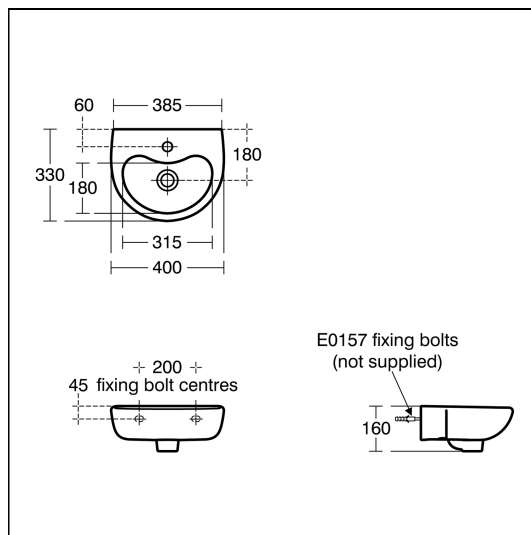
B8263 3.7 Litres per minute @ 3 bar pressure

Special Notes

Recommended fixing heights (floor to front rim);

Nursery use 600mm

Infant use 700mm



FEATURES



Contour 21 Splash 40cm Schools basin with overflow - one taphole

Junior use 750mm

Senior/adult use 780-800mm.

Washbasin wall mounted using E015767 wall fixing set or
panel mounted using E006267 fixing set



E: info@idealspec.co.uk | T: 0870 122 8822 | F: 0870 122 8282 | www.idealspec.co.uk

Ideal Standard (UK) Ltd. makes every effort to ensure that the information provided on its website is accurate. However, we cannot guarantee this, and accept no liability for any information or advice given via its website.

*Armitage
Shanks*